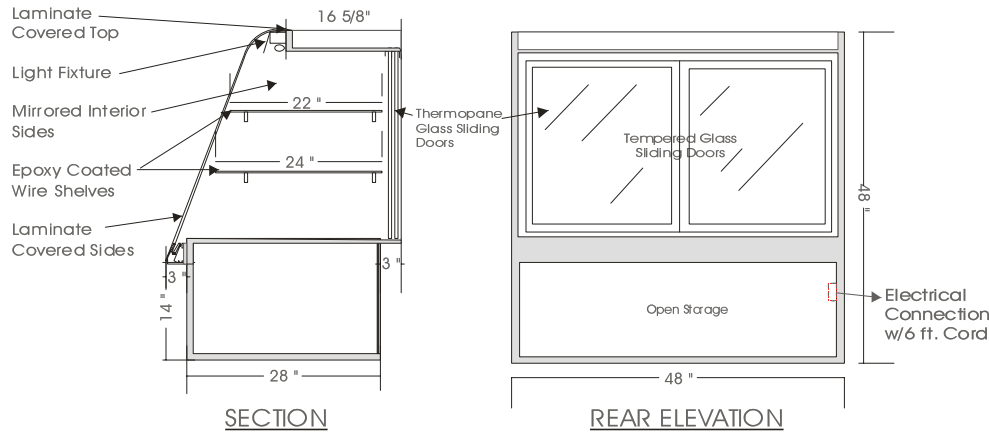


Eurostyle

DRY PASTRY W/RECESSED TOP – NPDW-C

MODELS: NPDW 4840-C, NPDW 4848-C, NPDW 4860-C, NPDW 4869-C, NPDW 4878-C, NPDW 4894-C



SPECIFICATIONS

MODEL	DIMENSIONS	ELECTRICAL	SHIPPING WT.
NPDW 4840-C	40"L.X34"D.X48"H.	115V/ 1/60HZ/01.0 AMP	300 lb.
NPDW 4848-C	48"L.X34"D.X48"H.	115V/ 1/60HZ/01.0 AMP	360 lb.
NPDW 4860-C	60"L.X34"D.X48"H.	115V/ 1/60HZ/01.0 AMP	420 lb.
NPDW 4869-C	69"L.X34"D.X48"H.	115V/ 1/60HZ/01.0 AMP	460 lb.
NPDW 4878-C	78"L.X34"D.X48"H.	115V/ 1/60HZ/01.5 AMP	520 lb.
NPDW 4894-C	94"L.X34"D.X48"H.	115V/ 1/60HZ/02.0 AMP	600 lb.

STANDARD FEATURES

1. Top light.
2. Solid sides w/mirrored interior gables.
3. Tempered curved front glass, tilt forward & removable.
4. White epoxy coated wire shelves.
5. Clear satin anodized aluminum hinge.
6. Exterior & interior laminate finish: Black.

OPTIONS

1. Shelf lights.
2. Plastic laminate exterior finish of choice.
3. Powder coated or colour anodized hinge.
4. Custom units on request.

**Due to constant improvements, specifications are subject to change without notice.*



Canadian Display Systems Inc.

177 Westcreek Drive, Woodbridge, Ontario L4L 9N6
 Ph: 905-265-7888, 1-800-895-5862 Fax: 905-265-7692
 email cds1@on.aibn.com
www.canadiandisplayystems.com